

VPT-40/24VHZ

Home | Security | Pan & Tilt Systems | Fixed Speed

VPT-40/24VHZ
Pan/Tilt Head with Heater, 24VAC, RAL7032,

Art-Nr. 73223



SLD Security &
Communications

Main Features

20kg load capacity
Supply voltage: 24VAC
50/60Hz Operation
Backlash: <0,2°
High torques

Hardened gears
Rugged housing
No maintenance required
Protection rating: IP66
Heaters as standard

Specifications

Model	Pan&tilt head
Series	eneo VPT
Load capacity	20 kg, (load assembly in the horizontal and vertical center of gravity required)
Nominal voltage range	24VAC (+20% ~-10%)
Current consumption/motor (at 50 Hz)	285mA
Max. torque at nominal speed	16.5Nm horizontal / 33Nm vertical (Running torques at 50Hz)
Speed at nominal voltage	6°/sec. horizontal, 3°/sec. vertical (at 60 Hz: +20%)
Rotation range	359°, 359° horizontal, +/-90° vertical
Backlash	<0.2°
Limit switch control	Internally adjustable (Micro switchers)
Autopan	no
Pattern	no
Positioned freely	no

VPT-40/24VHZ

(Continuation Specifications)

Serial interfaces	voltage
Plug connections	7pin socket
Supply voltage	24VAC
Temperature range (operation)	-20°C ~+70°C
Temperature range with built-in heater	-40°C ~+70°C
Heater	yes, 24 VAC/24 W
Mounting of illuminator possible	optional
Mounting	upright or upside down
Protection rating	IP66
Housing material	aluminium, plastic
Housing	Aluminium frame with plastic covers
Colour (housing)	RAL7032, Eloxal C0
Dimensions (HxWxD)	see drawing
Weight	6.5kg
Parts supplied	Screw set, 7-pin connector, Allen wrench key (4 mm)

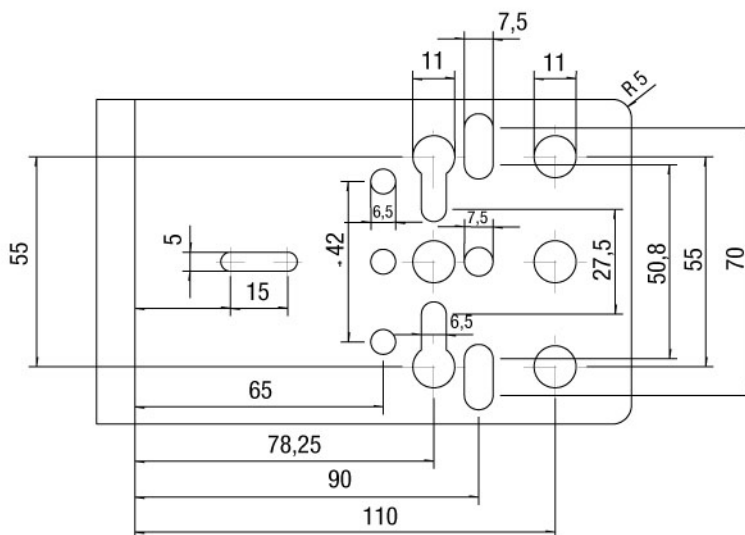
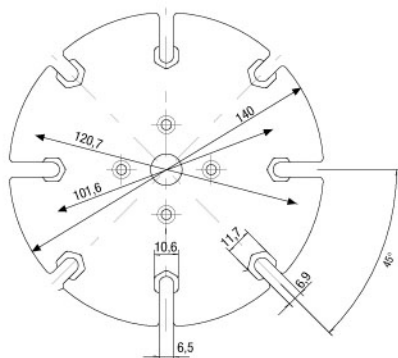
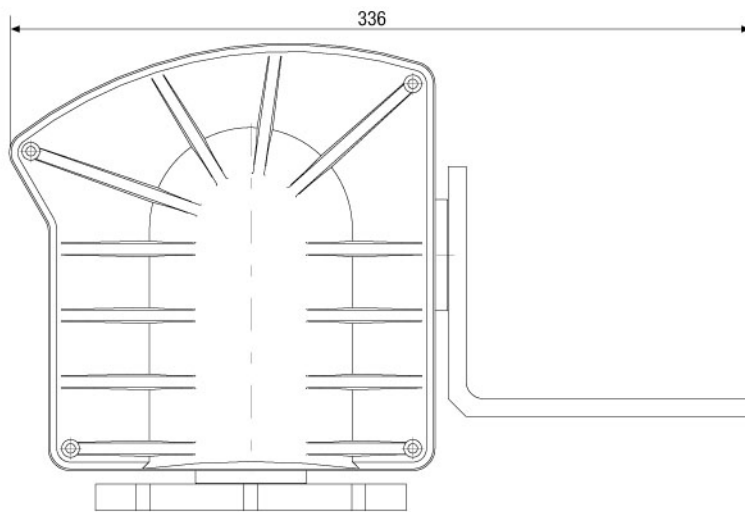
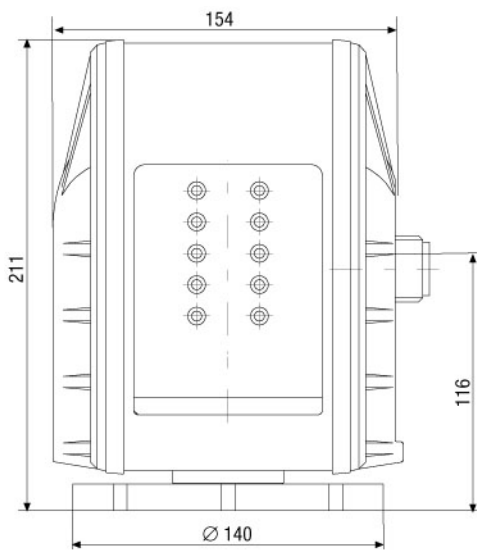
Optional accessories

73099	WD-2N1	Wall Bracket for Pan/Tilt Heads VPT-40, RAL7032
70457	AK-3	Camera Connection box, 230VAC Input, 24VAC-3.2A, 12VDC-1A Outputs
73139	MK-21	Pole Column Spacer for Pan/Tilt Heads, 200mm Height, RAL7032
77488	VPT/IRB-4L	L-Bracket for VPT-40, RAL7032
77489	VPT/IRB-4T	T-Bracket for VPT-40, RAL7032
73157	WD-32	Wall Bracket for Pan/Tilt Heads VPT-40/501/601/651 Series, RAL7032

VPT-40/24VHZ

Home | Security | Pan & Tilt Systems | Fixed Speed

Technical drawing



Maße/Dimensions: mm

SLD Security & Communications
The Old Forge, Ockham Lane, Ockham, Surrey GU236PH England
Phone +44.1483225633 · Fax +44.1483225634
sales@sld.co.uk · www.sld.co.uk

