

VPT-501/HZ

Home | Security | Pan & Tilt Systems | Variable Speed

VPT-501/HZ

Pan/Tilt Head with heater 24VAC, 100°/sec. max.,

RS-485, 24VAC, RAL7032

Art-Nr. 75304



SLD Security & Communications

Main Features

Load capacity up to 12kg

Speed: 100°/sec. max.

Rotation range: +/-180°

Backlash: <0,2°

64 presets

Autopan function

RS-485 serial interface (multiple protocol)

Supply voltage: 24VAC, 50/60Hz

Protection rating: IP65

Housing finish: RAL7032

Maintenance-free

Heaters as standard

Specifications

Model	Pan&tilt head
Series	eneo VPT
Load capacity	12 kg, (load assembly in the horizontal and vertical center of gravity required)
Speed range at manual control	0 ~100° horizontal, 0 ~50° vertical. 0 to 100°/sec.: 0.22sec.
Preset speed	0 ~100° horizontal, 0 ~50° vertical. 180° positioning needs 2.5sec. (at max. speed)
Rotation range	359°
Tilt range	+/-90°
Backlash	<0.2°
Limit switch control	By external PC configuration Software
Autopan	yes
Pattern	no
Positioned freely	yes

VPT-501/HZ

(Continuation Specifications)

Number of presets	64
Serial interfaces	RS-422, RS-485
Protocols	Videor, Fastrax IIE, Pelco D&P, Siemens (TTY), Philips, with selectable Baud rate. Other protocols: upon request
Relay output	Aux 1~3 (open collector). Aux 1+2 control 2 Relais on R&D board. Usable for diagnose functions: Position feedback, endposition condition (active/inactive), Inside temperature, motor and camera supply voltage (42VDC, 12VDC)
Connectors	13pin and 24pin sockets
Supply voltage for lenses	4 ~11.5VDC
Camera voltage supply	12VDC, 24VAC; 1.0A
Supply voltage	24VAC
Power consumption	120W max. (incl. Camera and Heater)
Temperature range (operation)	-20°C ~+50°C
Temperature range with built-in heater	-40°C ~+50°C
Heater	yes, 24 VAC/24 W
Mounting of illuminator possible	optional
Mounting	upright or upside down
Protection rating	IP65
Housing material	aluminium, plastic
Housing	Aluminium frame with plastic covers
Colour (housing)	RAL7032, Eloxal C0
Weight	8.0kg
Parts supplied	Screw set, 13pin / 24pin connectors, Allen key (5mm), PC Setup and Control Software on CD ROM
Special features	No mechanical end switches, no potentiometer for positioning feedback. Stop position control configuration made by PC Control Software (included). Absolute positioning

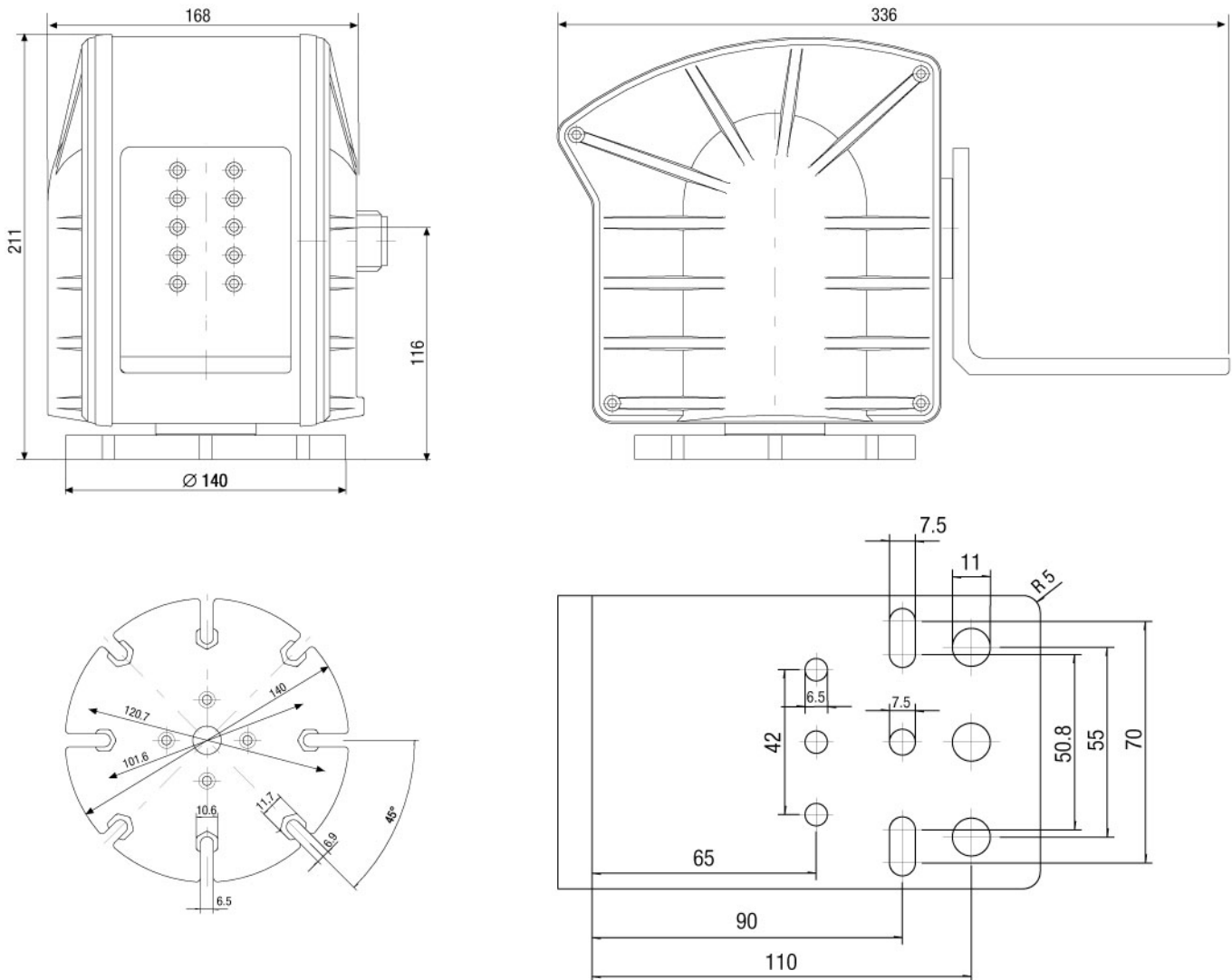
Optional accessories

70449	NE-128	Voltage supply unit 230V/24VAC-5A, IP66
74092	EDC-KBDM-3	System Keyboard w. Joystick, 5" Monitor 12VDC, Fastrax Protocol
74088	EDC-KBD1	System Keyboard with 3-axis Joystick, 12VDC
73139	MK-21	Pole Column Spacer for Pan/Tilt Heads, 200mm Height, RAL7032
74089	EDC-CR1	Converter RS-232/RS-485, Repeater RS-485
74094	EDC-COAX	Coax Telemetry Board for VPT-501/601, EDC/EDMC Series assembled
73157	WD-32	Wall Bracket for Pan/Tilt Heads VPT-40/501/601/651 Series, RAL7032
71003	LINE DRIVER	Gender Adapter RS232C/RS485 + DB9/DB25
79672	VHM/ZB-VPT-055	Connection Cable 0.55m, VHM/ZLB to VPT-501, VPT-601
79618	VHM/ZB-VPT-035	Connection Cable 0.35m, VHM/ZLB to VPT-42, VPT-501, VPT-601

VPT-501/HZ

Home | Security | Pan & Tilt Systems | Variable Speed

Technical drawing



Maße/Dimensions: mm

SLD Security & Communications
The Old Forge, Ockham Lane, Ockham, Surrey GU236PH England
Phone +44.1483225633 · Fax +44.1483225634
sales@sld.co.uk · www.sld.co.uk

