

DS-4

Home | Security | Lighting | Accessories

DS-4

Twilight Switch with ON/OFF Delay adjustable Switching Points,

230VAC

Art-Nr. 90056



Main Features

For automatic illuminator ON/OFF switching
Photocell controlled
Switching range: 2 to 200Lux (adjustable)
ON/OFF switching delay

For wall mounting
Switching power: 1200W max.
Protection rating: IP66
Easy installation

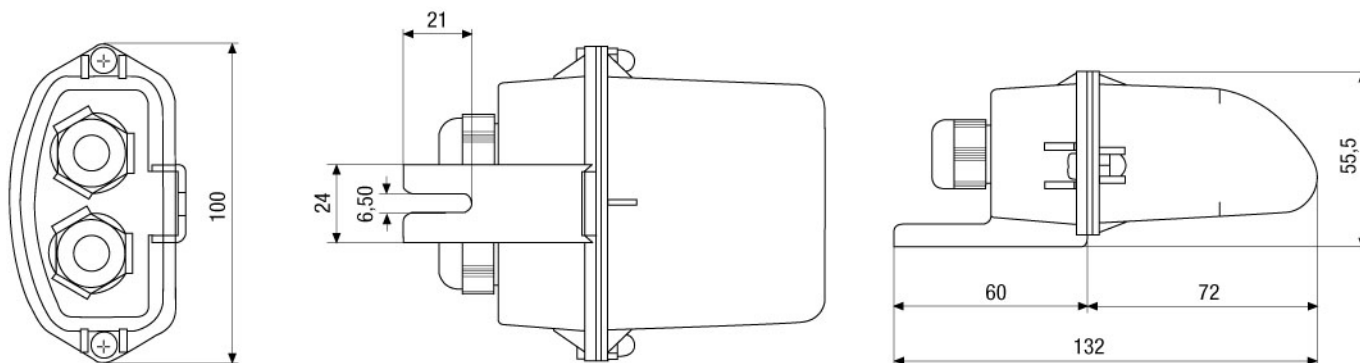
Specifications

Weight	150g
In/output voltage	230VAC / 50Hz
Switch-on delay	7sec.
Switch-off delay	420sec.
ON/OFF switching range	2 ~200Lux
Internal adjustments	Potentiometer for ON/OFF switching range
LCD display	Displays switch ON status
Mains in/outputs	1 each
Switching power	5A (1200W)
Temperature range	-20°C ~+50°C
Housing	Grey plastic with clear cover
Dimensions (HxWxD)	see drawing

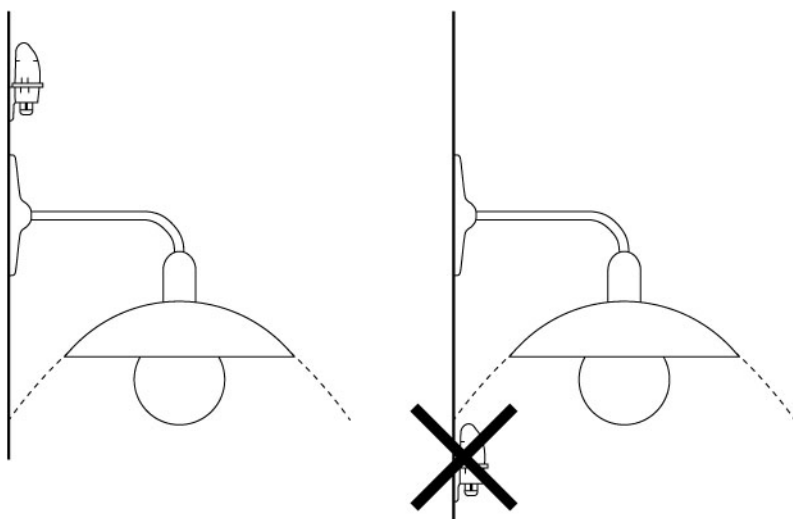
DS-4

Home | Security | Lighting | Accessories

Technical drawing



Maße/Dimensions: mm



SLD Security & Communications
The Old Forge, Ockham Lane, Ockham, Surrey GU236PH England
Phone +44.1483225633 · Fax +44.1483225634
sales@sld.co.uk · www.sld.co.uk

