

CG-812PA1V

Home | Security | Cameras | Boxed

CG-812PA1V
1/3" Day&Night Camera, DSP, 540TVL, 230VAC,

Art-Nr. 92514



Lens not included

Main Features

Resolution of 540 Horizontal Lines (Colour)	Automatic AI/DC Control Selection (Depend on Lens)
Automatic Gain Control (AGC)	Integrated Eclipse and Flickerless Function
High Sensitivity of 0.04Lux at F1.2 (B&W)	Automatic White Balance with Hold Function (AWB)
Removable IR Cut Filter	Auto Blemish Compensation (up to 32 Pixels)
Back Light Compensation (BLC)	Adjustable Video Transmission Distance
Electronic Shutter Control (ESC)	Supply Voltage: 230VAC

Specifications

System	day&night
Video standard	CCIR/PAL
Sensor size	1/3"
Imager	CCD, Sony Super HAD Interline Transfer
Active picture elements	440,000, 752(H) x 582(V)
Horizontal resolution	540 TVL, (colour), 570TVL (b&w)
Synchronization	Internal/AC line lock
Signal-to-noise ratio	48dB (AGC OFF)
Gamma correction	0.6/1.0
Sensitivity (at 50% video signal)	0,4 Lux, (colour), 0.05Lux (B&W) at F1.2 (measured)
Low speed shutter	no
Digital Noise Reduction (DNR)	no
Backlight compensation	BLC, eclipser, ON/OFF switchable

CG-812PA1V

(Continuation Spezifications)

Wide Dynamic Range (WDR)	no
White balance	automatic/manually
Blemish compensation	Automatic blemish detection and compensation (for up to 32 pixels)
Aperture Correction (APC)	horizontal and vertical
Flickerless function	120sec., ON/OFF switchable
IR cut filter	switchable
OSD function control	OSD camera setup: Pixel correction, Eclipser, Day&Nigt, BLC, AWB, Chroma, ESC, AGC, Flickerless, Aperture, Masking (Window blanking), Transmission distance compensation
Digital zoom	no
Lens mount	CS mount
Iris control	Manual iris, Auto-Iris/DC controlled
Auto exposure	Automatic/Manual/flimmerfree/AGC
External adjustments	Flange focus Switch for setup menu
Video outputs	composite (CVBS), 1Vp-p, (C)VBS, 75ohms, BNC
External connections	Auto-/DC Iris (4 pin), Video (BNC), Day/Night switching (2 pin), Power input
Serial interfaces	no
Camera mount	1/4" - 20 UNC thread on top and bottom
Supply voltage	230VAC
Power consumption	approx. 12watts
Temperature range (operation)	-10°C ~+50°C
Dimensions (HxWxD)	see drawing
Weight	400g
Parts supplied	4 pin Lens plug, Allen wrench key, Control adapter cable with open ends, Quick start guide and manual on CD
Certificates	CE, FSV

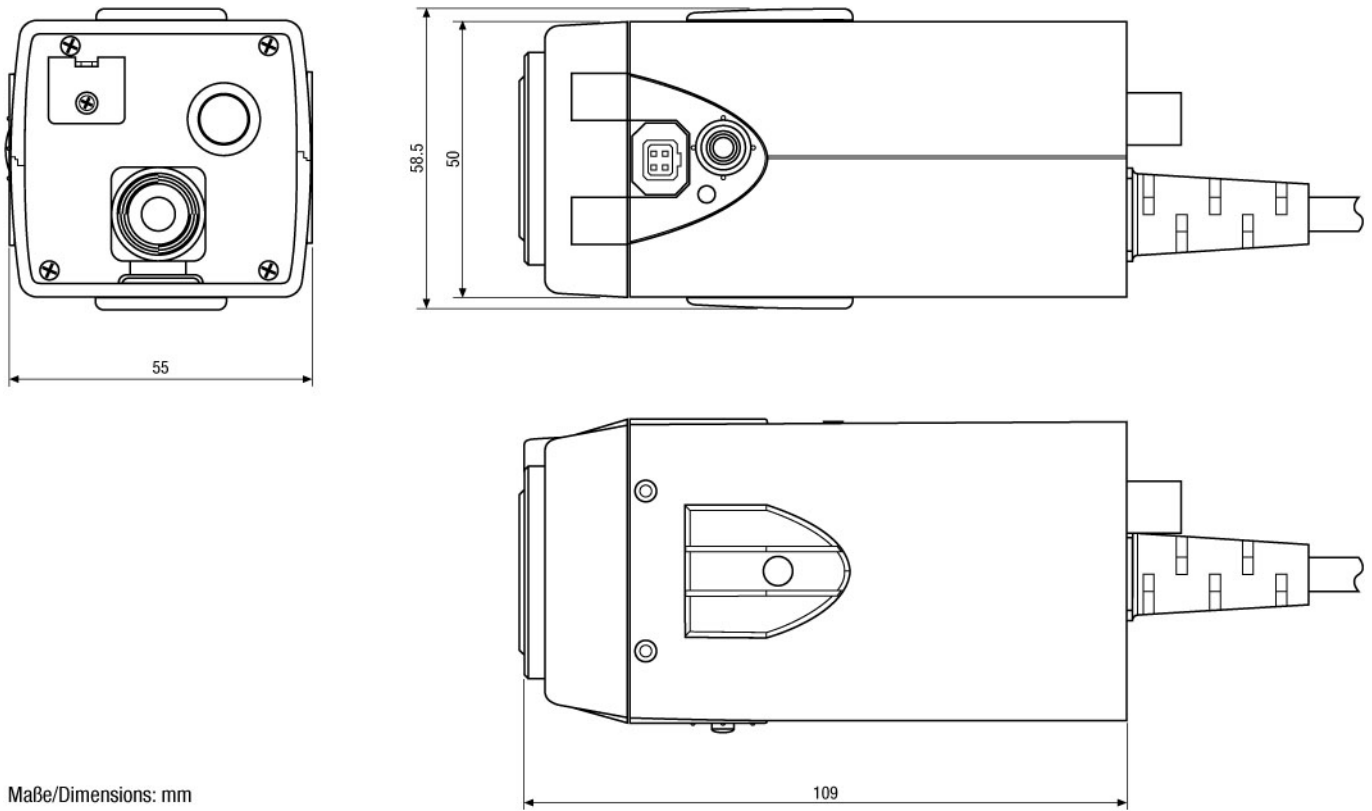
Optional accessories

70769	WD-22	Wall Mount Bracket with Ball Joint, 1/4" Camera Fixing Screw, Beige Grey
43106	C/CS RING-AL	Adapter Ring, C/CS Mount, Aluminium anodized
70771	WD-23	Wall Mount Bracket with Ball Joint, 1/4" Camera Fixing Screw, Pantone 877

CG-812PA1V

Home | Security | Cameras | Boxed

Technical drawing



Maße/Dimensions: mm

SLD Security & Communications
The Old Forge, Ockham Lane, Ockham, Surrey GU236PH England
Phone +44.1483225633 · Fax +44.1483225634
sales@sld.co.uk · www.sld.co.uk

