

VKC-1331A

Home | Security | Cameras | Plug & Play

VKC-1331A
1/3" Cylindric Camera, Colour, 3.6mm, 550TVL,
12VDC

Art-Nr. 92531



Main Features

Cylindric Colour CCD Camera
1/3" Sony Super HAD II CCD
Sensitivity of 0.2 Lux (F1.2)
Automatic Shutter Control (ESC)
Automatic Gain Control (AGC)

Automatic White Balance (AWB)
Supply Voltage: 12VDC
Weatherproof Aluminium Housing (IP67)
Mounting Stand with Swivel Head
Compact Version (19mm Outside Diameter)

Specifications

System	Colour
Video standard	PAL
Sensor size	1/3"
Imager	CCD, Sony Super HAD II Interline Transfer
Active picture elements	440,000, 752(H) x 582(V)
Synchronization	Internal
Signal-to-noise ratio	48dB
Gamma correction	0.45
Horizontal resolution	550 TVL
Sensitivity (at 50% video signal)	0.18Lux at F1.2, 0.5Lux at F2,0 (Videor measurement result)
Automatic electronic shutter (ESC)	1/4 ~1/100,000sec.
Low Speed Shutter	no
Automatic gain control (AGC)	yes
Digital Noise Reduction (DNR)	no

VKC-1331A

(Continuation Specifications)

White balance	Automatic (2100 - 8000K)
Backlight compensation	no
Wide Dynamic Range (WDR)	no
IR cut filter	standard
Video outputs	CVBS
Lens type	fixed focal length
Lens	F2.0/3.6mm
Aspherical technology	n/a
Focal length	3,6 mm
Horizontal angle of view	69°
Iris control	no
MOD (Minimum object distance)	0,1 m
Filter screw size	not available
Illumination	no
Serial interfaces	no
Cable connection	Wiring for video and voltage supply made, accessible from outside (approx. 0.5m long, Video: BNC jack 12/24V input: for DC plug 2.1/5.5mm)
Protection rating	IP67
Supply voltage	12VDC
Power consumption	approx. 1.7watts
Temperature range (Operation)	-10° ~+50°C
Housing material	Aluminium
Housing	Outdoor
Integrated wall mount	no
Hidden cable management	no
Sunshield	no
Window heater	no
Clear Shield	no
Colour (housing)	black
Dimensions (HxWxD)	19x19x54,7 mm
Weight	48g
Parts supplied	Camera, Manual, Wall and ceiling mount bracket, Fixing screws
Certificates	CE

Optional accessories

70535	VT-PS12DC-8	Plug-in Power Supply Unit 100-240VAC 12VDC (1.0Amp), Regulated, with DC Plug
70495	VT-PS12DC-7	Pluggable PSU w. Cont. & UK Mains plug-in 100-240VAC/12VDC-1.25A, Regulated

77773

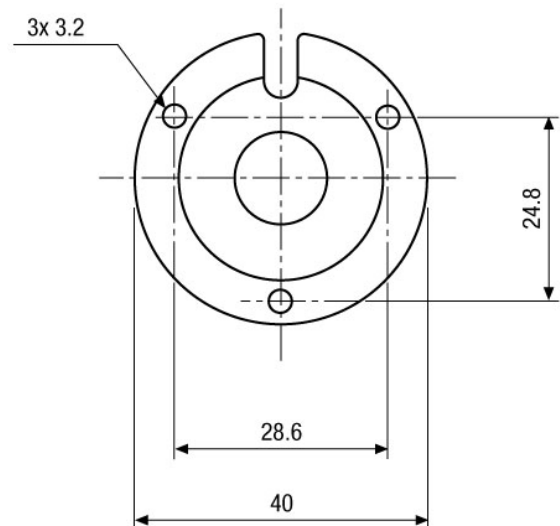
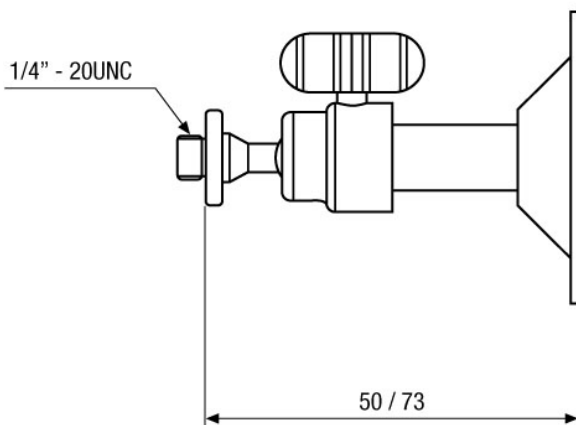
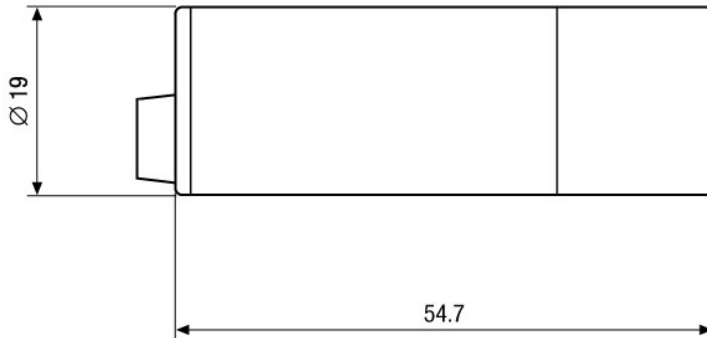
VT-PS12DCDT1

PSU 12VDC/1.0A, Regulated, Desktop Version, 1.8m Cables each w. open ends

VKC-1331A

Home | Security | Cameras | Plug & Play

Technical drawing



Maße/Dimensions: mm

SLD Security & Communications
The Old Forge, Ockham Lane, Ockham, Surrey GU236PH England
Phone +44.1483225633 · Fax +44.1483225634
sales@sld.co.uk · www.sld.co.uk

