

VKCD-1325-B/IR

Home | Security | Domes | Fixed

VKCD-1325-B/IR
1/3" Dome, Fixed, Day&Night, clear, 3.8-9.5mm,

600TVL, IR Illumination, 12V

Art-Nr. 92597



Main Features

For wall and ceiling flush and surface mount	Automatic gain control (AGC)
Vandal and tamper-resistant	Intelligent infra-red illumination
Integrated F1.2/3.8-9.5mm varifocal DC iris lens	15m night observation distance (24 pcs. IR LED\$s)
Externally adjustable focus & zoom	Manual 3-axis camera gimbal
Removable IR cut filter	Supply voltage: 12VDC
Sensitivity of 0.1Lux at F1.2 (colour)	Ball eye size: 96mm

Specifications

System	day&night
Video standard	PAL
Sensor size	1/3"
Imager	CCD, Sony Super HAD Interline Transfer
Active picture elements	440,000 (H) 752 x (V) 582
Horizontal resolution	600 TVL
Synchronization	internal
Signal-to-noise ratio	50dB (AGC OFF)
Gamma correction	0.45
Sensitivity (at 50% video signal)	0,1 Lux, (colour), 0.05Lux (B&W) at F1.2 (measured)
Automatic gain control (AGC)	supplied
Low speed shutter	no
Digital Noise Reduction (DNR)	no

VKCD-1325-B/IR

(Continuation Specifications)

Backlight compensation	no
Wide Dynamic Range (WDR)	no
White balance	automatic
Aperture Correction (APC)	horizontal, vertical
IR cut filter	switchable, motorized, switchable filter. Automatic function depend on the amount of light. In removed filter position, the colour signal will be switched OFF
Activity detection	no
Digital zoom	no
Analysis Functions	no
Lens type	varifocal
Focal length	3,8 mm - 9,5 mm
Horizontal angle of view	74,2° - 30°
MOD (Minimum object distance)	0,15 m
Aperture range (F)	F1.2 -F260
External adjustments	zoom and focus
Video outputs	composite (CVBS), 1Vp-p, CVBS, 75ohms
Alarm inputs	-
Alarm outputs	-
PTZ support	no
Rotation range	360°
Illumination	infrared, 25x IR LED (850nm, 30°). Due to an integrated light sensor the LED illumination will be switched ON/OFF, depending on environmental illumination conditions.
	nein
External connections	video (BNC), voltage input
Serial interfaces	no
Housing	outdoor
Housing material	aluminium
Colour (bubble)	-
Colour (housing)	anthracite
Heater	no
Mounting	wall mount, ceiling mount
Supply voltage	12VDC, (+/-10%)
Power consumption	5W
Temperature range (operation)	-10°C ~+50°C
Protection rating	IP66
Vandalism resistant	yes
Dimensions (HxWxD)	see drawing
Weight	870g

VKCD-1325-B/IR

(Continuation Specifications)

Parts supplied	dome camera, bag of screws, allen key, DC cable with open ends, drilling template, manual, special key for lens adjustment
-----------------------	--

Certificates	CE
---------------------	----

Optional accessories

70535	VT-PS12DC-8	Plug-in Power Supply Unit 100-240VAC 12VDC (1.0Amp), Regulated, with DC Plug
--------------	--------------------	--

70495	VT-PS12DC-7	Plugable PSU w. Cont. & UK Mains plug-in 100- 240VAC/12VDC-1.25A, Regulated
--------------	--------------------	---

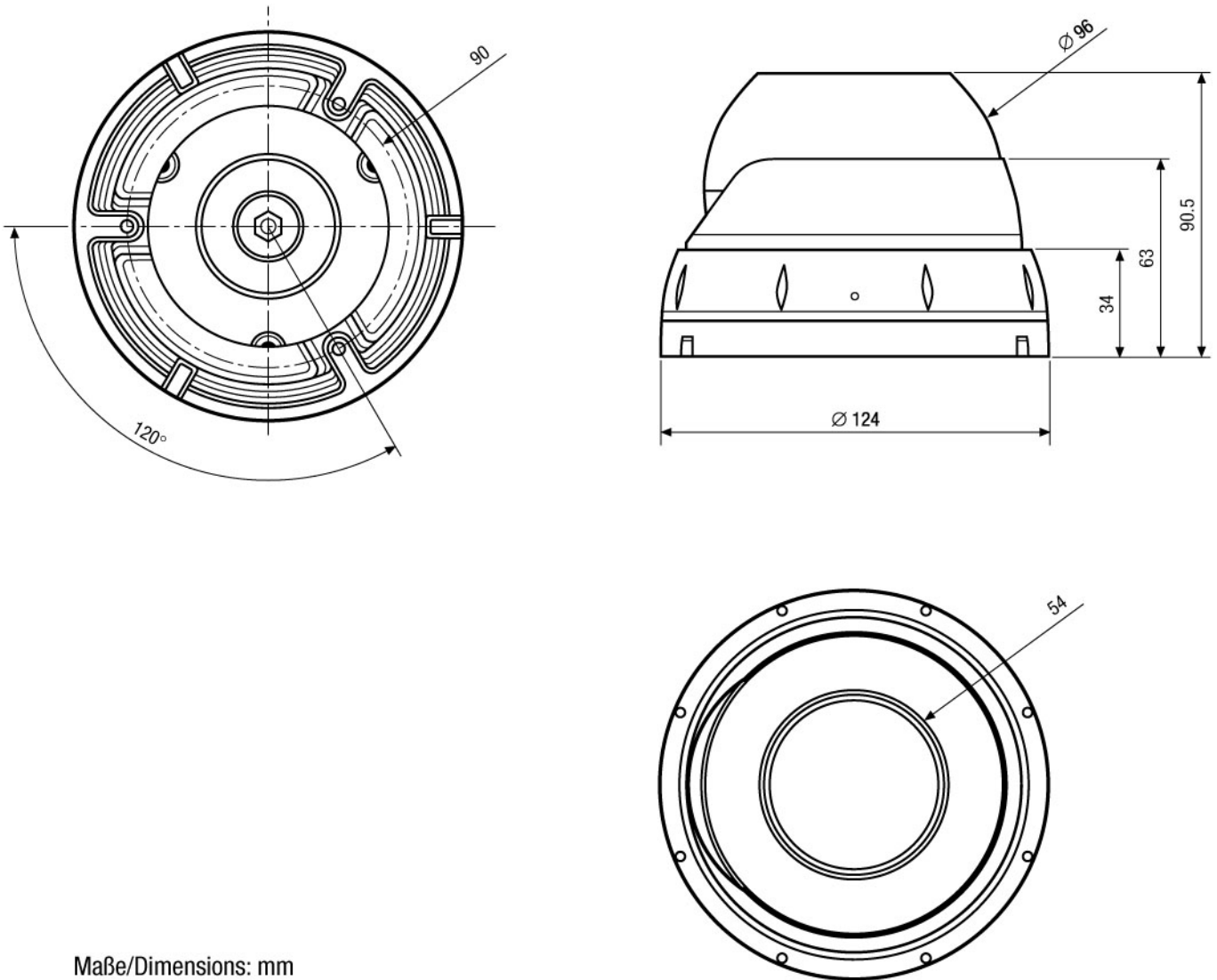
77773	VT-PS12DCDT1	PSU 12VDC/1.0A, Regulated, Desktop Version, 1.8m Cables each w. open ends
--------------	---------------------	---

92557	VDOME/WB3	Wall Mount Kit for VKCD-1325/IR
--------------	------------------	---------------------------------

VKCD-1325-B/IR

Home | Security | Domes | Fixed

Technical drawing



Maße/Dimensions: mm

SLD Security & Communications
The Old Forge, Ockham Lane, Ockham, Surrey GU236PH England
Phone +44.1483225633 · Fax +44.1483225634
sales@sld.co.uk · www.sld.co.uk

