

## Video Security



### YV2.7X2.9LASA2L

F0.95/2.9-8mm DC, 1/3" CS Mount,  
Variable Focal Length

Art-No. 45207



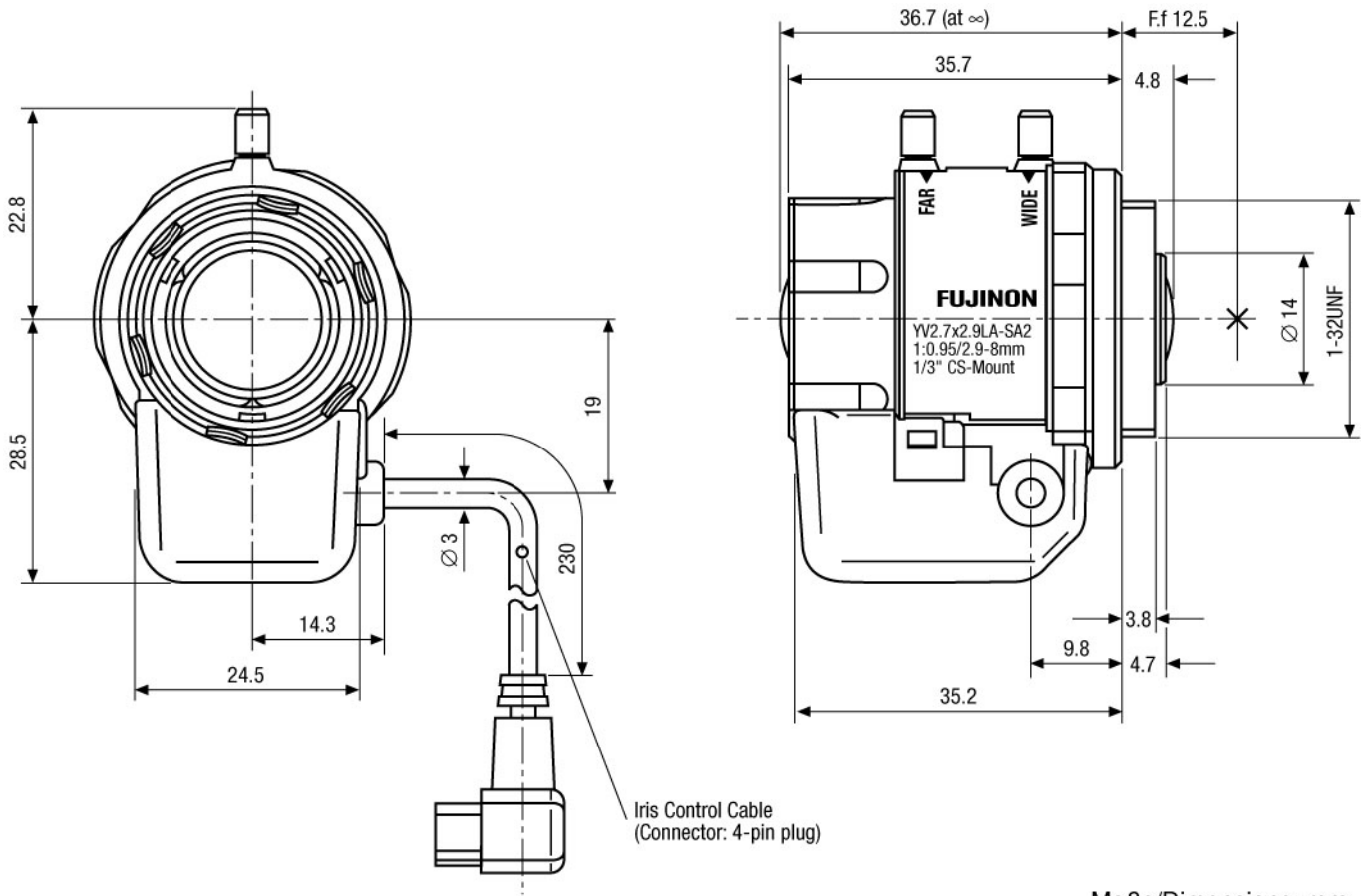
## Features

Suitable for 1/3" and 1/4" Colour and B&W Cameras  
High Resolution Lens  
Super Dynamic Aperture Range  
Aspherical Lens Elements  
Compact Design

Locking Mechanism for Focus and Zoom  
CS Mount  
With 4-pin Connector  
Adjustable Slip-ring Mount for Cable Positioning  
DC Auto Iris

## Specifications

Temperature range	-20°C to +60°C
Slip-ring mount	340°-360° Variable adjustment range
Nominal format size	1/3"
Minimum object distance (M.O.D.)	0.3 m
Cable length	Approx. 23 cm
Horizontal angle of view at nominal format size	93° 34' -34° 53'
Weight	45 g
Filter screw size	-
Screw-in depth	4.7 mm
Focal length (f)	2.9-8 mm
Aperture range (F)	F0.95-F360
Iris control system	Galvanometer
Flange focal length	12.5 mm
Lens mount	CS
Dimensions (LxDxH)	See drawing
4-pin plug	Standard



Maße/Dimensions: mm

SLD Security & Communications  
 The Old Forge, Ockham Lane, Ockham, Surrey GU236PH England  
 Phone +44.1483225633 · Fax +44.1483225633  
 sales@sld.co.uk · www.sld.co.uk

