

VKC-1327A/WDDG1

Home | Security | Dome Cameras | Fixed

VKC-1327A/WDDG1

1/3" Dome, Fixed, Day&Night, clear, 3.8-9.5mm,

540TVL, 12VDC/24VAC

Art-Nr. 92166



SLD Security & Communications

Main Features

For wall and in-ceiling mounting

Vandal and tamper-resistant

Clear Lexan bubble with inner liner

1/3" day&night CCD board camera with varifocal lens

Built-in lens F1.2/3.8-9.5mm with DC iris control

Resolution of 540 horizontal lines

Removable IR cut filter

Automatic shutter control (AES)

Backlight compensation (BLC)

For easy indoor installation

Manual 3-axis camera adjustment

Specifications

Video standard	CCIR/PAL
System	day&night
Sensor size	1/3"
Imager	CCD, Sony Super HAD Interline Transfer
Active picture elements	440,000, 752(H) x 582(V)
Synchronization	Internal/Line-lock (automatic detection depend on power source)
Signal-to-noise ratio	48dB
Sensitivity (at 50% video signal)	0,5 Lux, (colour), 0.24Lux (B&W) at F1.2 (measured)
Horizontal resolution	540 TVL
Automatic gain control (AGC)	Normal/Turbo (+6dB)
Rotation range	manual: 360°
Automatic electronic shutter (ESC)	1/50 - 1/100,000sec.
Low speed shutter	no

VKC-1327A/WDDG1

(Continuation Specifications)

Digital Noise Reduction (DNR)	no
White balance (ATW)	2000 ~8000K, Automatic
Backlight compensation	BLC
Gamma correction	approx. 0.45
Backlight compensation	ON/OFF switchable
Wide Dynamic Range (WDR)	no
IR cut filter	switchable
Video outputs	composite (CVBS), 1Vp-p, (C)VBS, 75ohms, BNC
Lens type	varifocal
Lens	F1.2/F2.0~360 / 3.8~9.5mm with galvanometer controlled iris
Focal length	3,8 mm - 9,5 mm
Horizontal angle of view	74,2° - 30°
Digital zoom	no
Iris control	DC
MOD (Minimum object distance)	0,15 m
Focus range	0.15m ~∞
Filter screw size	not available
Alarm outputs	-
Illumination	no
Activity detection	no
Motion detector	no
Internal adjustments	8 Dip switches: Internal/Line-lock synchronization, ELC/ALC (Shutter/Auto-Iris), BLC ON/OFF, AGC Normal/Turbo, Flickerless ON/OFF, Sharpness Normal/Sharp, Day/Night mode Enabled/Disabled, IR mode ON/OFF (Iteration reduction between day and night position). 2 Potentiometers: Level for DC controlled iris, V. phase adjustment (220° min. adjustable)
Cable connection	Video (BNC), Power (2 pin screw terminal)
Cable entry	2x 8mm holes with rubber glands
Serial interfaces	no
Temperature range (operation)	-10°C ~+50°C
Heater	no
Protection rating	IP65
Protection rating	at installation according to the manual
Supply voltage	12VDC, 24VAC
Supply voltage	(10.5 ~30VDC, 12 ~29VAC)
Power consumption	approx. 3.0watts
Vandalism resistant	yes
Bubble	PC plastic bubble with inner liner, vandal resistant
Colour (bubble)	clear,
Mounting	flush mount

VKC-1327A/WDDG1

(Continuation Specifications)

Housing	outdoor
Housing	Die-cast aluminium with clear polycarbonate bubble
Housing material	aluminium
Colour (housing)	Pantone Cool Gray 1C
Dimensions (HxWxD)	see drawing
Weight	approx. 750g
Parts supplied	Mounting kit, Torx wrench key, Blind cover 3/4"
Certificates	CE

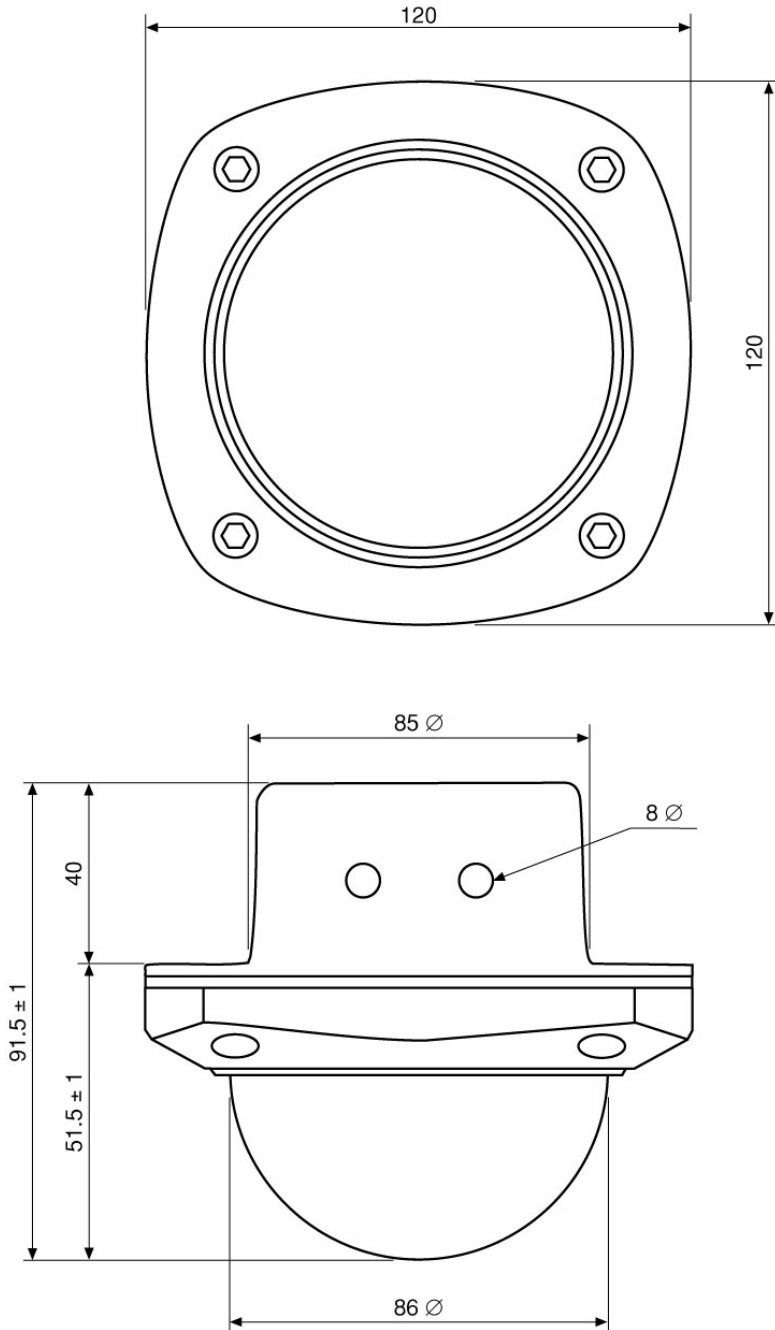
Optional accessories

70536	VT-PS12DC-9	Plug-in Power Supply Unit 100-240VAC 12VDC (1.0Amp), Regulated, w. open Ends
77773	VT-PS12DCDT1	PSU 12VDC/1.0A, Regulated, Desktop Version, 1.8m Cables each w. open ends
70495	VT-PS12DC-7	Plugable PSU w. Cont. & UK Mains plug-in 100-240VAC/12VDC-1.25A, Regulated

VKC-1327A/WDDG1

Home | Security | Dome Cameras | Fixed

Technical drawing



Maße/Dimensions: mm

SLD Security & Communications
The Old Forge, Ockham Lane, Ockham, Surrey GU236PH England
Phone +44.1483225633 · Fax +44.1483225634
sales@sld.co.uk · www.sld.co.uk

