

# VMC-19LCD-OPC2

Home | Security | Monitors | TFT/LCD

VMC-19LCD-OPC2  
19" (48cm) LCD/TFT Monitor, 1280x1024,  
2x Composite, Y/C, RGB, Audio, 12VDC

**Art-Nr. 90572**



## Main Features

Professional LCD/TFT Monitor  
PAL/NTSC Auto Selection  
Multi-lingual on-screen menu driven set up  
3D comb filter / Deinterlacing  
Resolution of 1280x1024 px. (SXGA)  
2xCVBS, S-Video, RGB and audio inputs

High Contrast and High Brightness Ratio  
Quick Signal Switching / Fast Response Time  
Integrated Loudspeakers  
Supply Voltage: 12VDC  
Robust and compact plastic cabinet  
Table stand included

## Specifications

Video standard	PAL/NTSC (automatic selection)
Display element	Colour TFT/LCD
Screen size	19"
Screen Size (cm)	48 cm
Active area	376 (H) x 301 (V) mm
Pixel format	1280 (H) x 1024 (V) 0.294x0.294mm
Pixel fault class	ISO 13406-2, Class II
Screen formats	5:4
Scanning method	Digital progressive scan (Frame/Motion mode)
Resolution pixels	1280 x 1024
Resolution	CVBS and Y/C: 540TV lines; VGA: 640x480 (60 ~75Hz); SVGA: 800x600 (56 ~75Hz); XGA: 1024x768 (60 ~75Hz); SXGA: 1280x1024 (60 ~75Hz)

# VMC-19LCD-OPC2

(Continuation Specifications)

<b>Comb Filter</b>	The digital PAL 3D comb filter decoder offsets the preceding and succeeding images in order to achieve a better separation of the interwoven colour and black-and-white signals. Prevents colour streaks and uneven edges of colour
<b>Colour scales</b>	>16 Mio. (8 bit chroma signal)
<b>Contrast ratio typical</b>	800:1
<b>Brightness typical</b>	250 cd/m <sup>2</sup>
<b>Viewing angle vertical</b>	160°
<b>Viewing angle horizontal</b>	160°
<b>Light source</b>	4CCFL
<b>Response time typical</b>	5 ms, tr/ta
<b>PC interfaces</b>	VGA
<b>Video inputs (type)</b>	Y/C, VGA, composite (CVBS)
<b>Video inputs</b>	CVBS: 2x 1Vp-p, 75ohms termination, BNC; Y/C: Y=1.0Vp-p, C=0.3Vp-p, 75ohms, 4 pin Mini DIN (Loop-through inputs). RGB: R/G/B= 0.7Vp-p each, 75ohms
<b>Audio inputs</b>	2, Stereo (RCA)
<b>Loudspeaker</b>	2x 2watts
<b>Menu languages</b>	German, English, French, Spanish, Italian, Portugese, Dutch, Russian, Swedish, Finnish, Danish, Turkish, Japanese, Korean
<b>Supply voltage</b>	12VDC +/-5% (PSU 100V~240VAC included)
<b>Power consumption</b>	40W
<b>External adjustments</b>	On/Off, Menu, Input source selection, RGB auto adjustment, Volume
<b>Remote control</b>	-
<b>Temperature range (operation)</b>	0°C ~+50°C
<b>Housing material</b>	ABS plastic
<b>Mount</b>	VESA standard (4 threads M4, 100x100mm)
<b>Colour (housing)</b>	black
<b>Dimensions (HxWxD)</b>	356x419x213mm
<b>Total height with stand</b>	406mm
<b>Weight</b>	5.5kg
<b>Parts supplied</b>	PSU 100~240V/12VDC with power cord, VGA cable, Multi-language manual
<b>Certificates</b>	CE, FCC

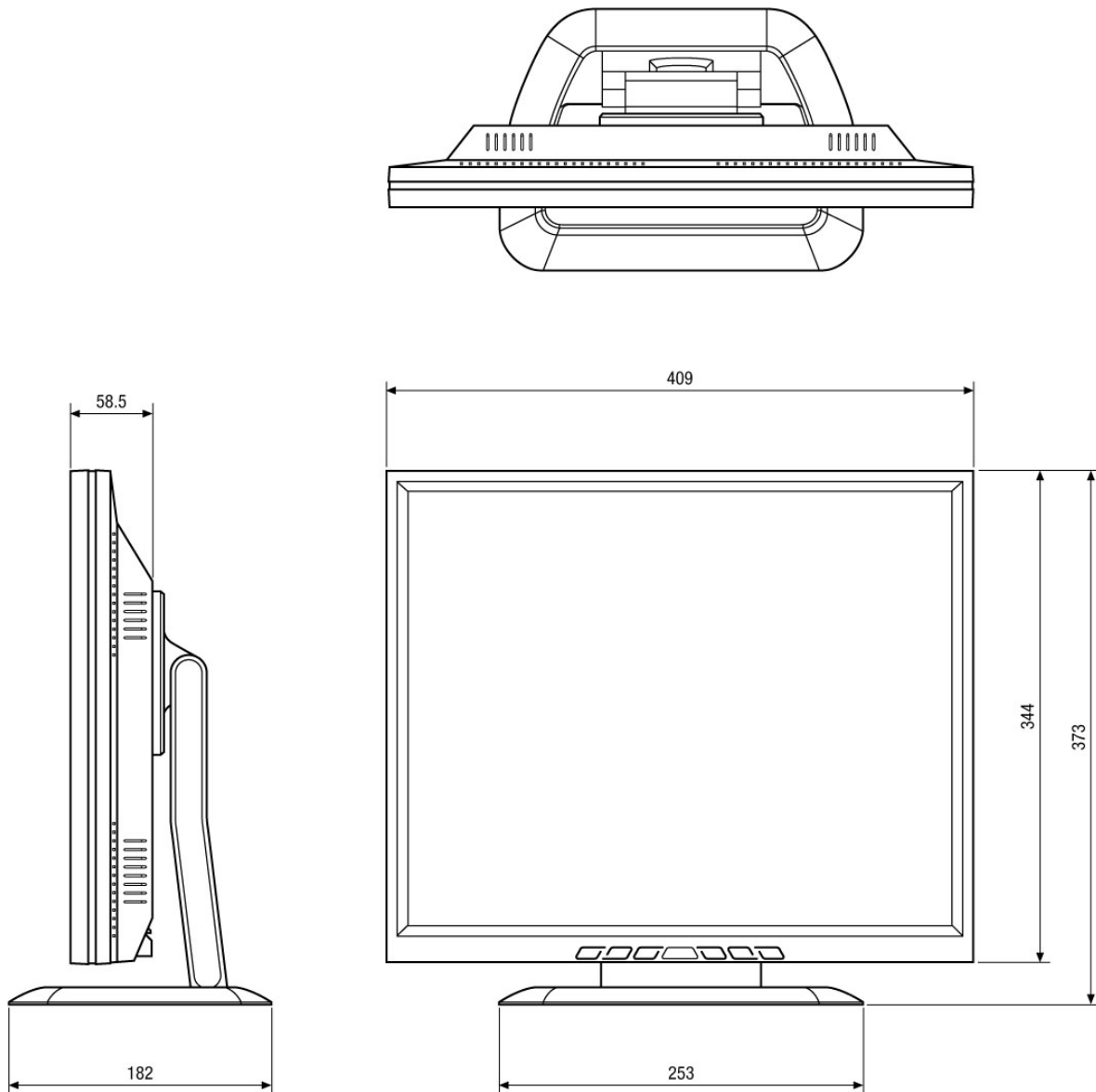
## Optional accessories

<b>90505</b>	<b>UNO</b>	Wall Bracket for LCD Monitors up to 23", Pan and Tilttable
<b>90449</b>	<b>VMC-LCD/CMB-1</b>	Ceiling Mount Bracket, Pan and Tilttable for LCD Monitors 19" to 30"
<b>90468</b>	<b>VMC-LCD/WMB-4</b>	Wall Bracket for LCD Monitors up to 23", Pan and Tilttable
<b>90394</b>	<b>VMC-LCD/WCMB-1</b>	Wall/Ceiling Bracket for LCD Monitors 15"/17"/19" P/CP/CM/HPC/HMC1 Series

# VMC-19LCD-OPC2

Home | Security | Monitors | TFT/LCD

## Technical drawing



Maße/Dimensions: mm

SLD Security & Communications  
The Old Forge, Ockham Lane, Ockham, Surrey GU236PH England  
Phone +44.1483225633 · Fax +44.1483225634  
sales@sld.co.uk · www.sld.co.uk

